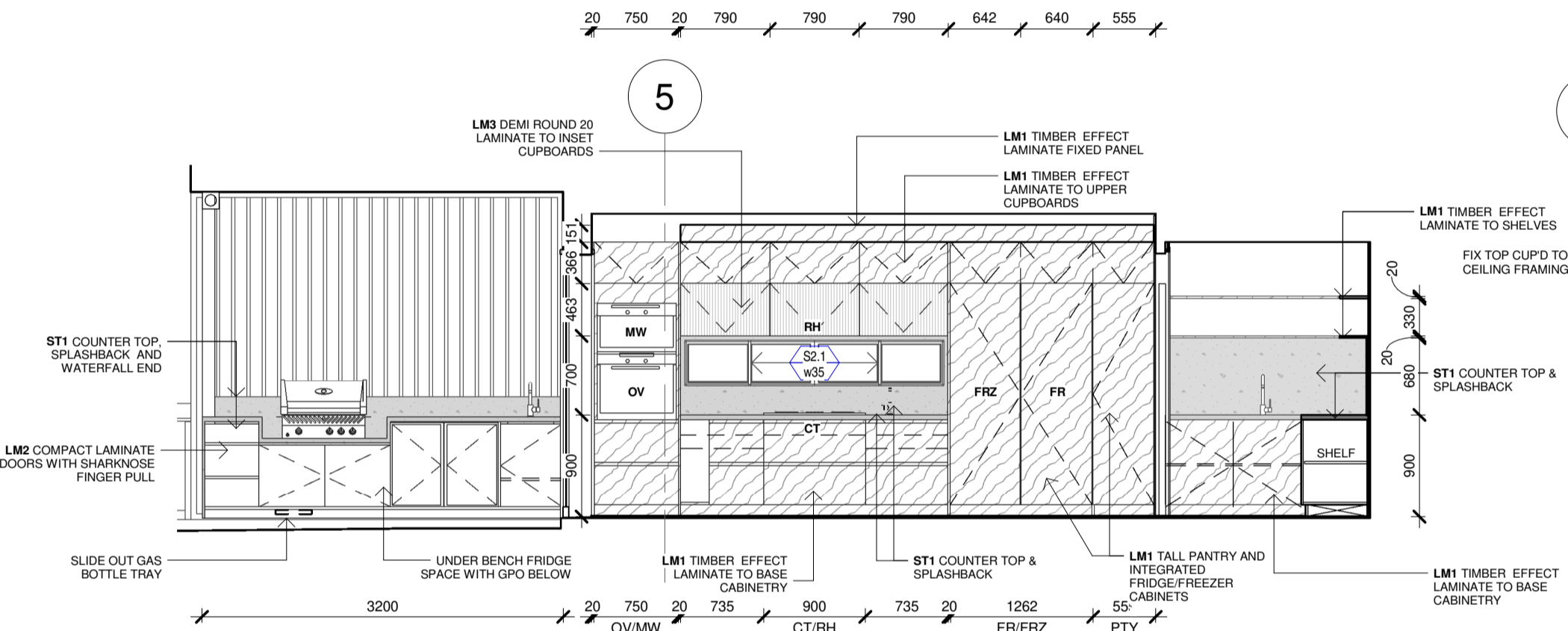
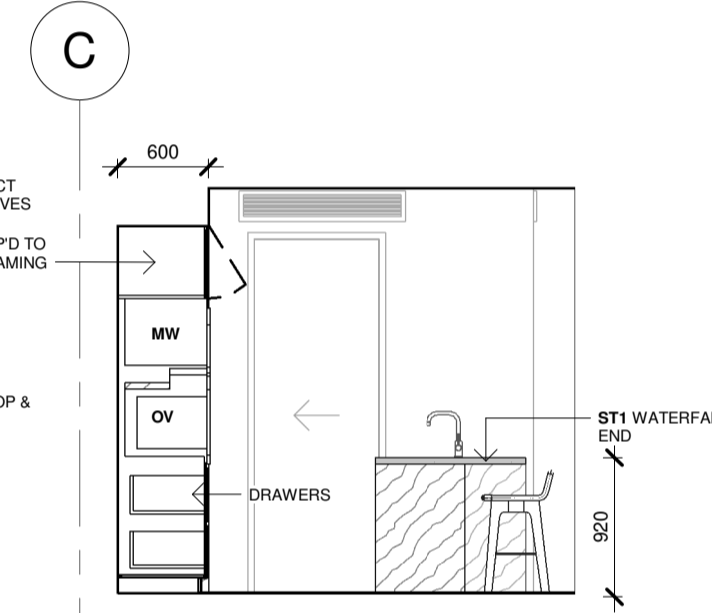


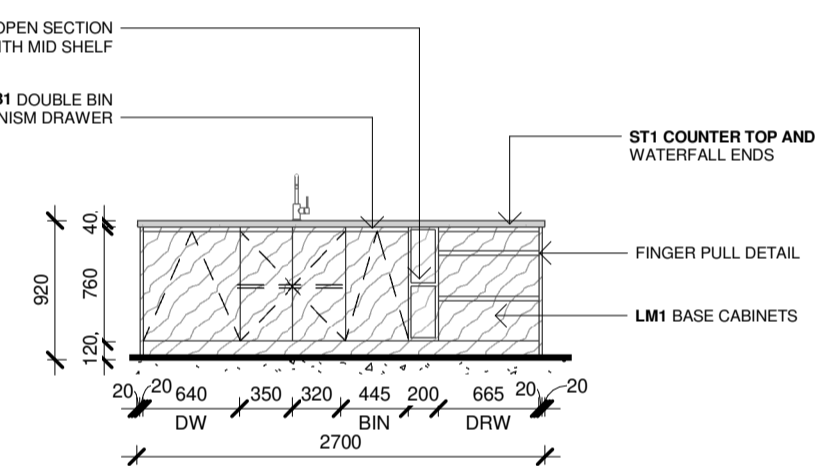
**4 UNIT 6 KITCHEN**  
1 : 50 on A1 / 1 : 100 on A3



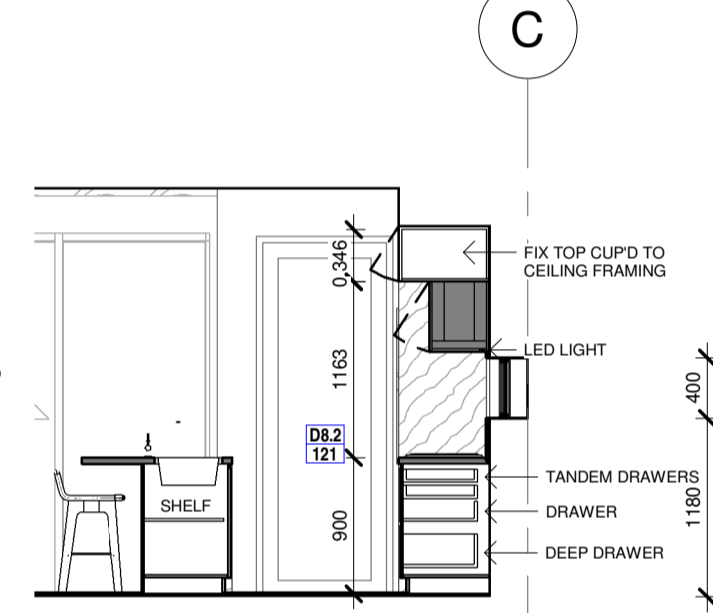
**6.1 ELEVATION**  
1 : 50 on A1 / 1 : 100 on A3



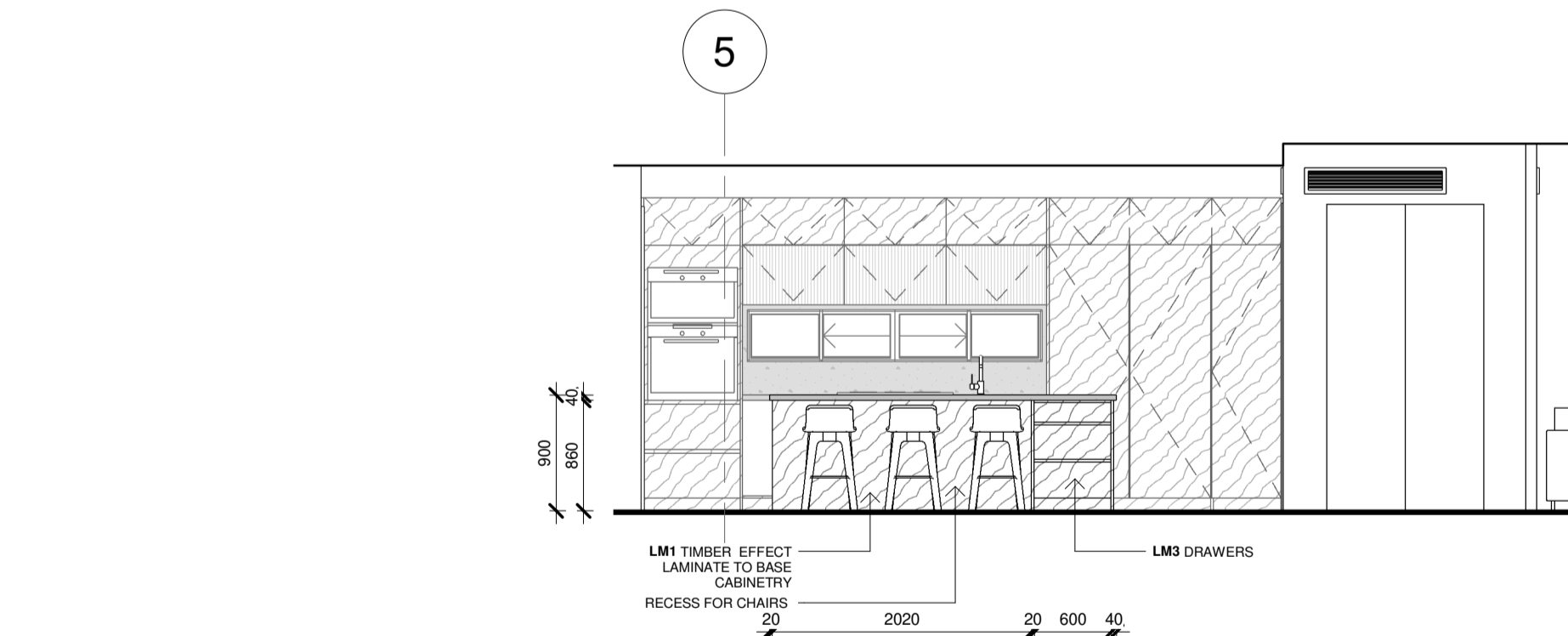
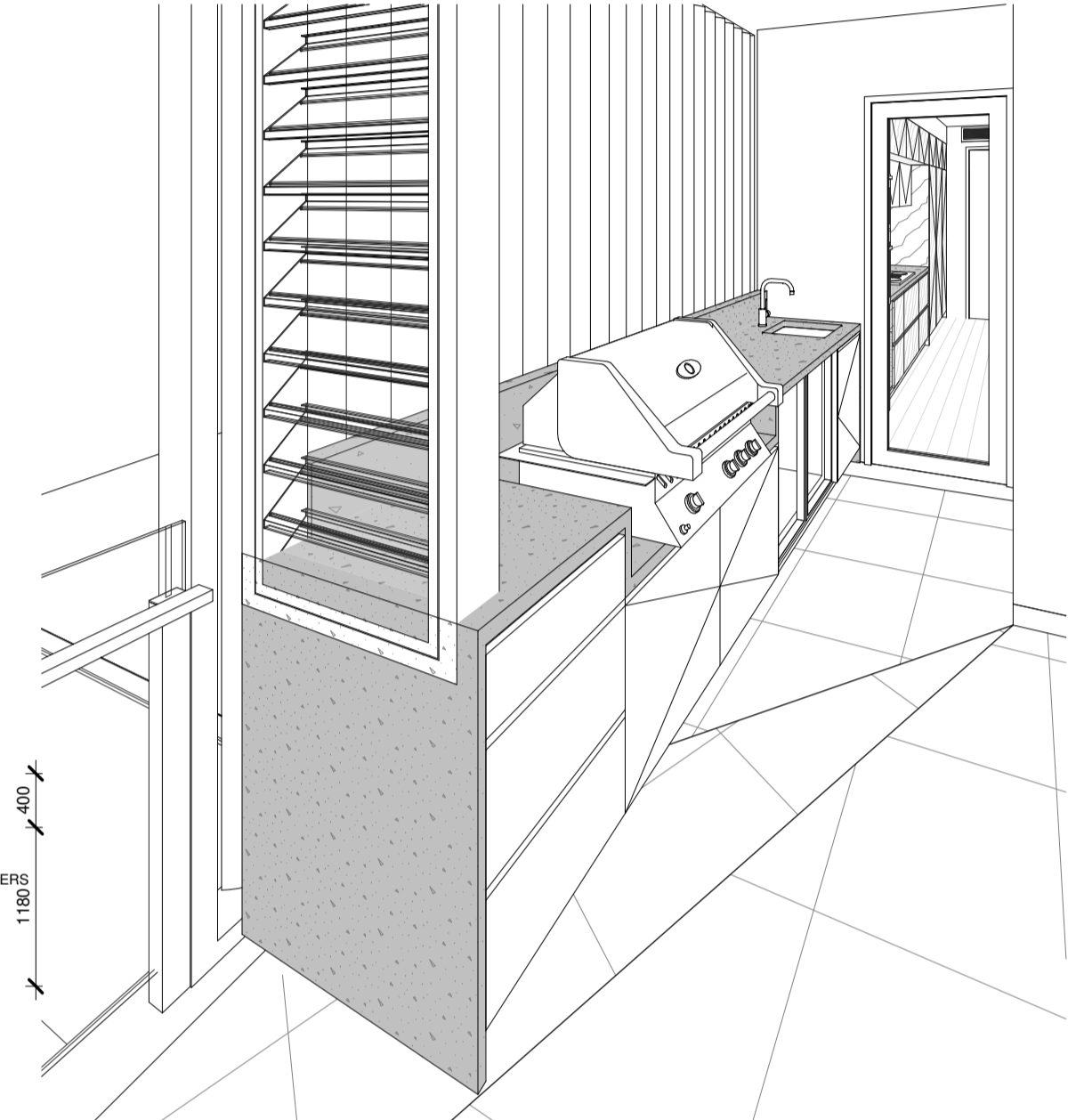
**6.2 ELEVATION**  
1 : 50 on A1 / 1 : 100 on A3



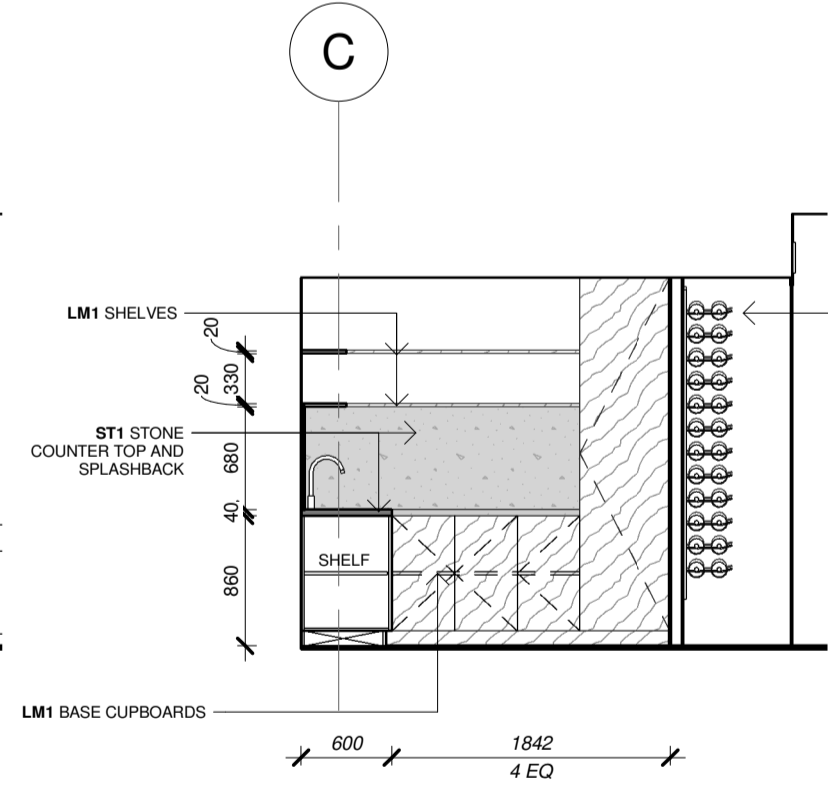
**6.3 ELEVATION**  
1 : 50 on A1 / 1 : 100 on A3



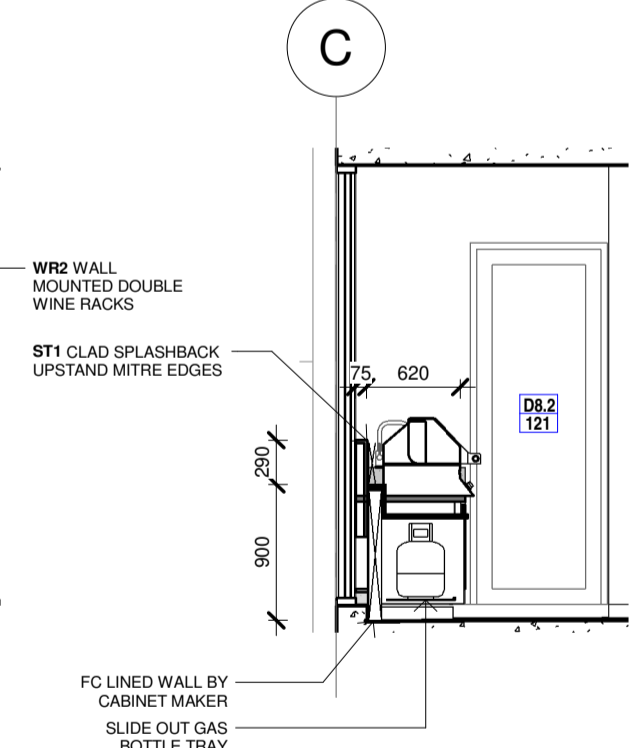
**6.4 ELEVATION**  
1 : 50 on A1 / 1 : 100 on A3



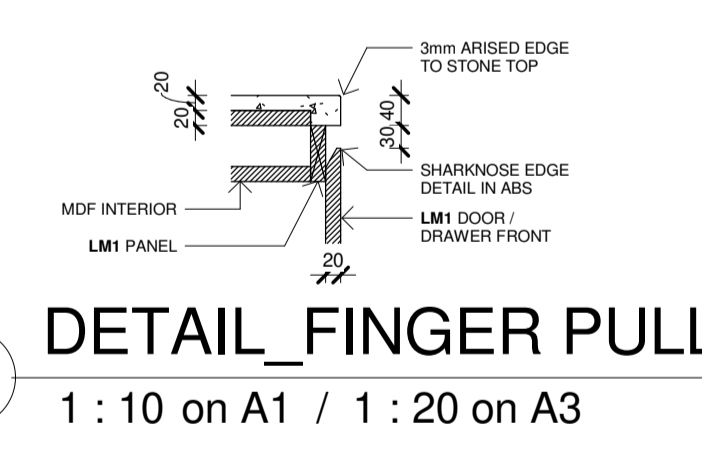
**6.5 ELEVATION**  
1 : 50 on A1 / 1 : 100 on A3



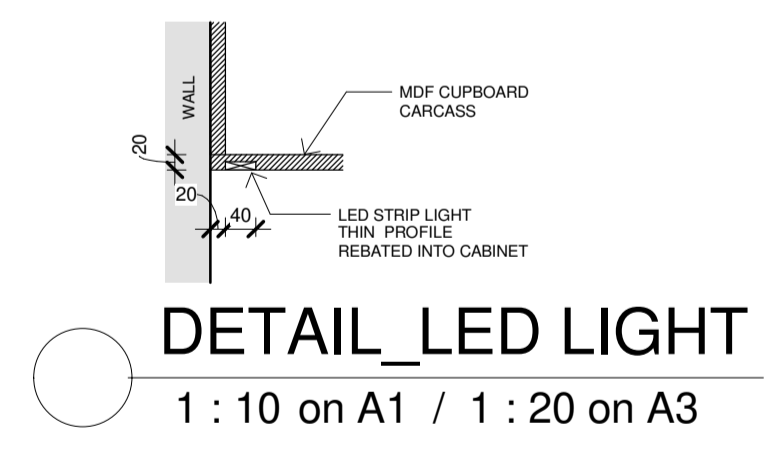
**6.6 ELEVATION**  
1 : 50 on A1 / 1 : 100 on A3



**6.7 ELEVATION**  
1 : 50 on A1 / 1 : 100 on A3



**DETAIL\_FINGER PULL**  
1 : 10 on A1 / 1 : 20 on A3



**DETAIL\_LED LIGHT**  
1 : 10 on A1 / 1 : 20 on A3

APPLIANCES LEGEND	
REFER TO FINISHES SCHEDULE FOR FULL SPEC INFO	
OV	OVEN - 600W (900W UNIT 8 ONLY)
MW	MICROWAVE - 600W
WD	WARMING DRAWER - 600W (UNIT 8 ONLY)
CT	COOKTOP - 800W (900W UNIT 8 ONLY)
UBFR	UNDERBENCH FRIDGE
DW	DIWASHWASHER
RH	UNDER CUPBOARD RANGEHOOD 900W
RH2	ISLAND HOODS (UNIT 8 ONLY)
FR	INTERGRATED FRIDGE
FRZ	INTERGRATED FREEZER
WB1	INTERGRATED WASTE BIN WITH LID

CABINETRY FINISHES LEGEND	
REFER TO FINISHES SCHEDULE FOR FULL SPEC INFO	
LM1	LAMINATE - TIMBER LOOK
LM2	COMPACT LAMINATE - SOLID CORE
LM3	LAMINEX DEMI ROUND 2PAC - WHITE
ST1	STONE SLAB 20mm THICK
WT2	MOSAIC FINGER TILE
PT1	PAINT FINISH - LOW SHEEN
CG1	CLEAR GLAZING WINE CABINET
PF1	PATCH FITTINGS - WALL MOUNTED
PF2	PATCH FITTINGS - 135 DEGREE DOOR HINGE
HD2	PATCH FIXED GLASS DOOR PULL
HG1	CABINETRY HINGES
DG1	DRAWER GLIDES

A	FOR CONSTRUCTION	10.05.2025
7	KITCHEN	13.03.2025
6	VALUE MANAGEMENT	04.03.2025
5	BA COORDINATION	15.01.2025
4	SCHEDULE CODES & UNIT 6 KITCHEN	05.11.2024
3	TENDER 2	17.09.2024
2	CABINETS	03.09.2024
1	TENDER-1	17.11.2023
#	DESCRIPTION	DATE

**REVISION HISTORY**

**FOR CONSTRUCTION**

ACN: 110893493  
 US - Level 1 - 70 Bay Terrace, WYNNUM QLD 4178  
 P.O. BOX 5129 MANLY QLD 4179  
 email: enquiry@thinktanks.com.au  
 phone: (07)3348 3727 / mobile: 0412 087 196

These drawings are the copyright of THINK TANK Architects and are not to be reproduced in any way without the consent of THINK TANK Architects

PROJECT: 13-22  
**NEW RESIDENCES**  
 ADDRESS: 121 SHORE ST N, CLEVELAND  
 CLIENT: BLANCA  
 ARCHITECT: MICHAEL JULLYAN  
 DRAWN: KP/ZS  
 CHECKED: MJ  
 ISSUE: **CONSTRUCTION**  
 SHEET TITLE: **UNIT 6 KITCHEN**

SHEET NUMBER	REV	REV DATE
A661	A	10.09.2025

**thinktank** architects  
 www.thinktankarchitects.com.au