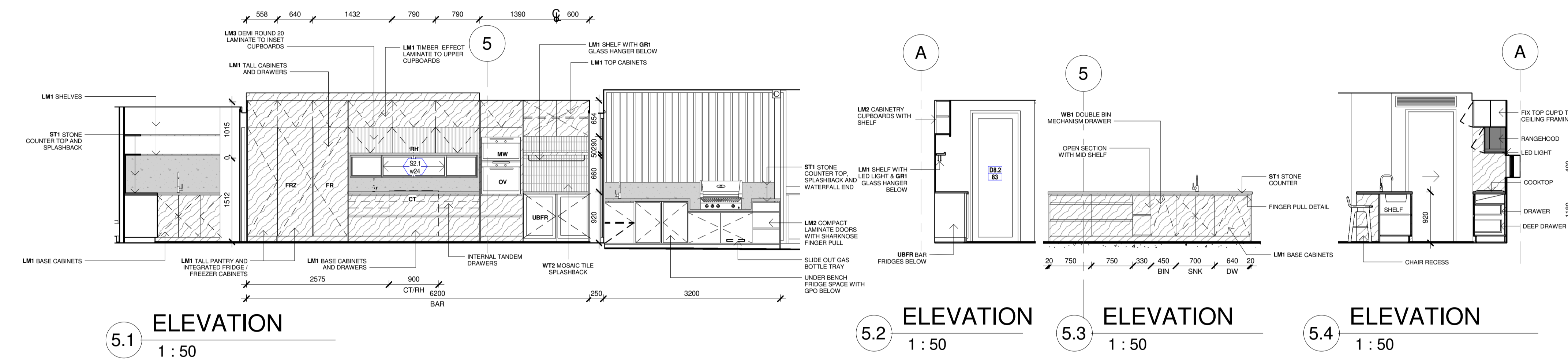


4 UNIT 5 KITCHEN
1 : 50 on A1 / 1 : 100 on A3



CABINETRY FINISHES LEGEND
REFER TO FINISHES SCHEDULE FOR FULL SPEC INFO

LM1	LAMINATE - TIMBER LOOK
LM2	COMPACT LAMINATE - SOLID CORE
LM3	LAMINEX DEMI ROUND 2PAC - WHITE
ST1	STONE SLAB 20mm THICK
WT2	MOSAIC FINGER TILE
PT1	PAINT FINISH - LOW SHEEN
CG1	CLEAR GLAZING WINE CABINET
PF1	PATCH FITTINGS - WALL MOUNTED
PF2	PATCH FITTINGS - 135 DEGREE DOOR HINGE
HD2	PATCH FIXED GLASS DOOR PULL
HG1	CABINETRY HINGES
DG1	DRAWER GUIDES

APPLIANCES LEGEND
REFER TO FINISHES SCHEDULE FOR FULL SPEC INFO

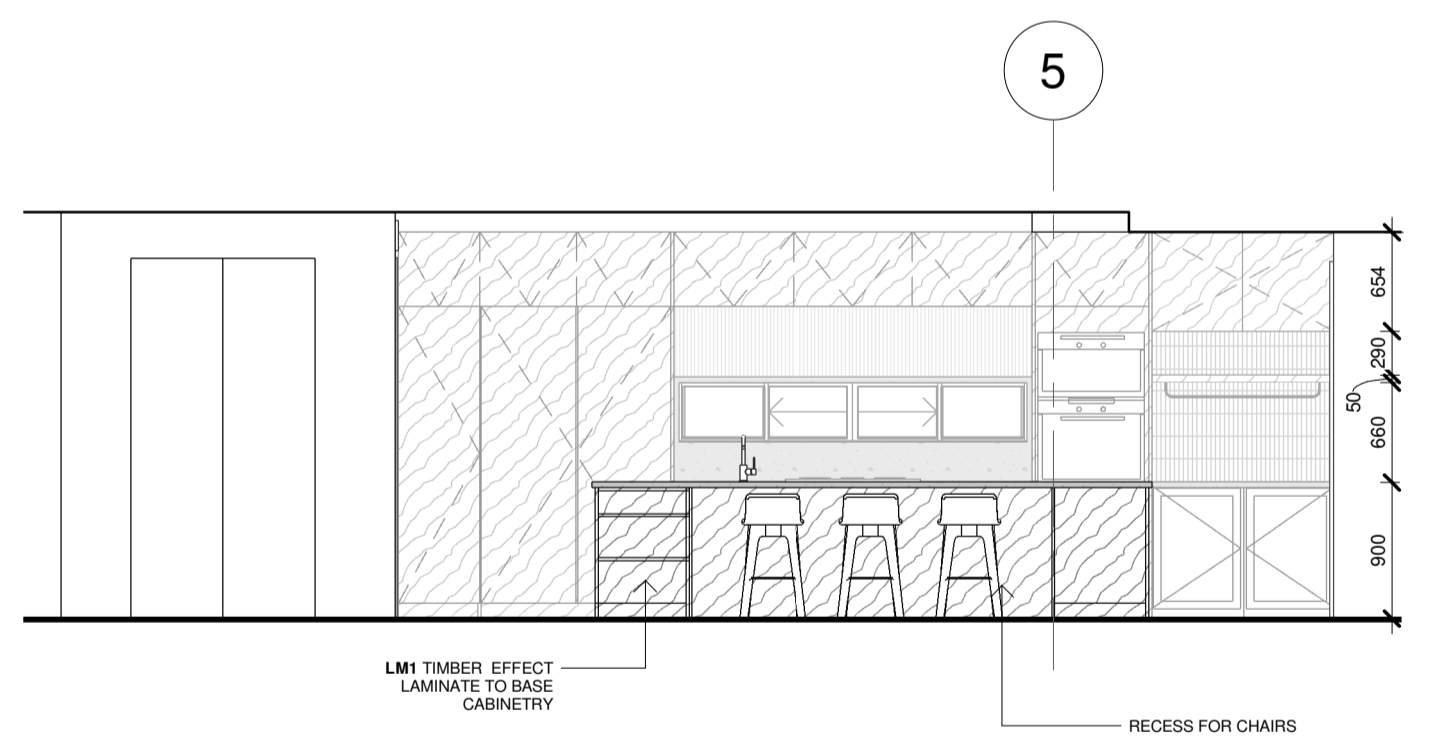
OV	OVEN - 600W (900W UNIT 8 ONLY)
MW	MICROWAVE - 600W
WD	WARMING DRAWER - 600W (UNIT 8 ONLY)
CT	COOKTOP - 800W (900W UNIT 8 ONLY)
UBFR	UNDERBENCH FRIDGE
DW	DIWASWASHER
RH	UNDER CUPBOARD RANGEHOOD 900W
RH2	ISLAND HOODS (UNIT 8 ONLY)
FR	INTERGRATED FRIDGE
FRZ	INTERGRATED FREEZER
WB1	INTERGRATED WASTE BIN WITH LID

5.1 ELEVATION
1 : 50

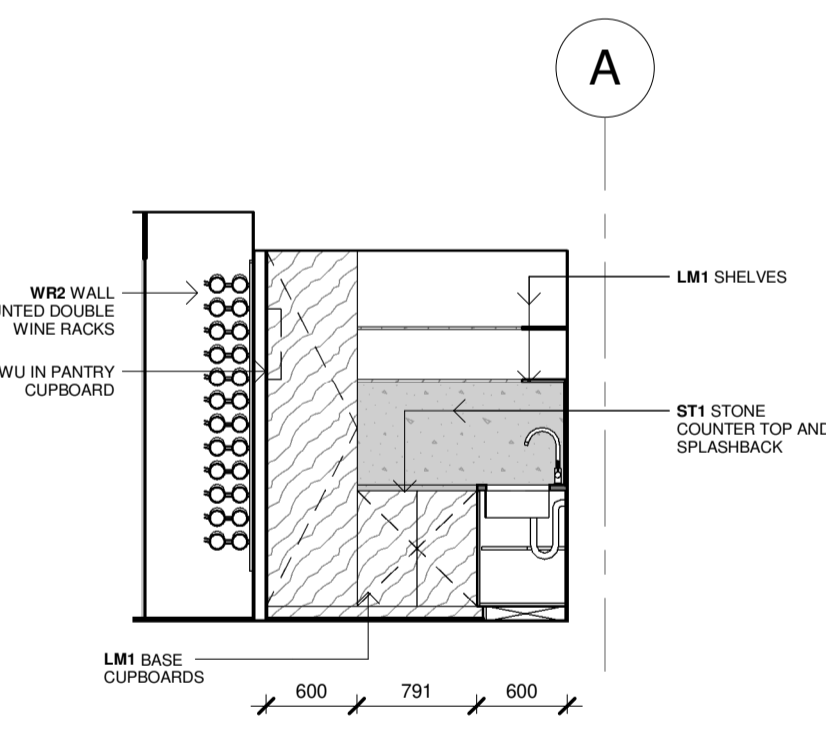
5.2 ELEVATION
1 : 50

5.3 ELEVATION
1 : 50

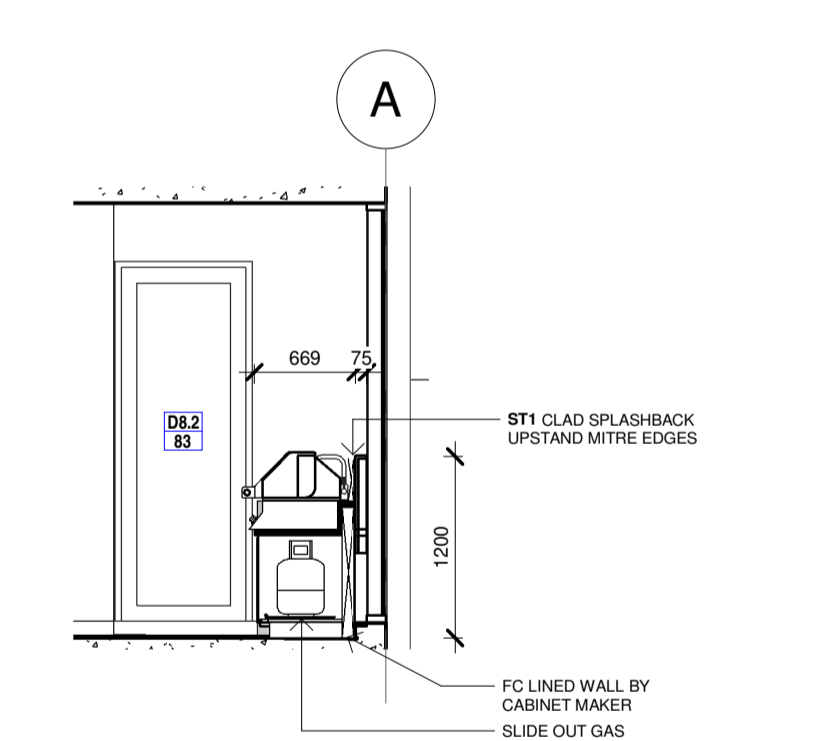
5.4 ELEVATION
1 : 50



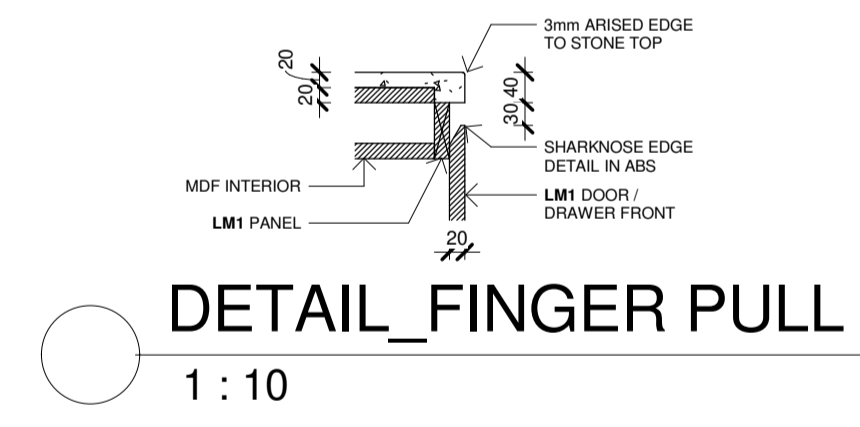
5.5 ELEVATION
1 : 50



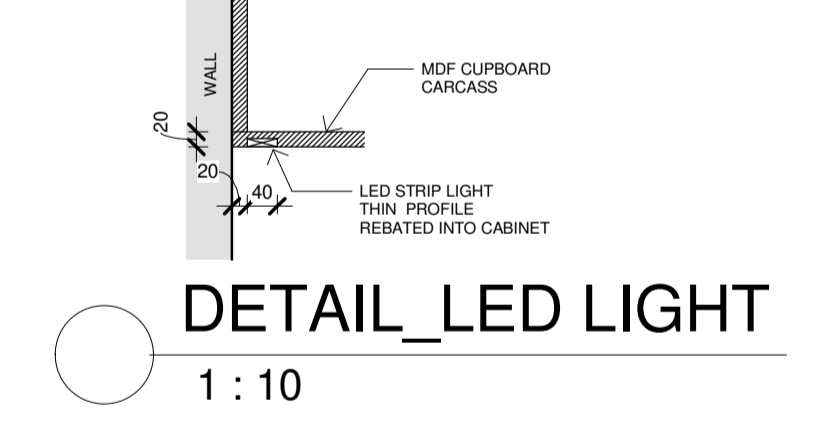
5.6 ELEVATION
1 : 50



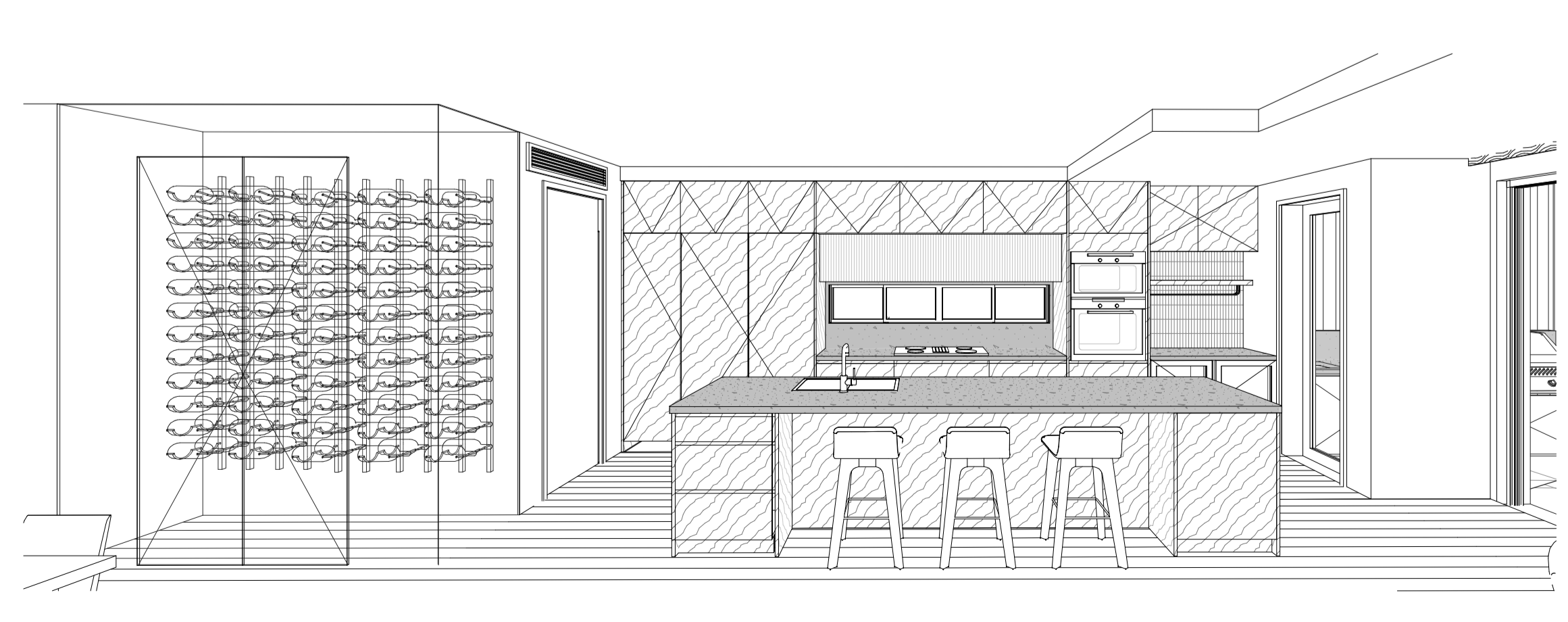
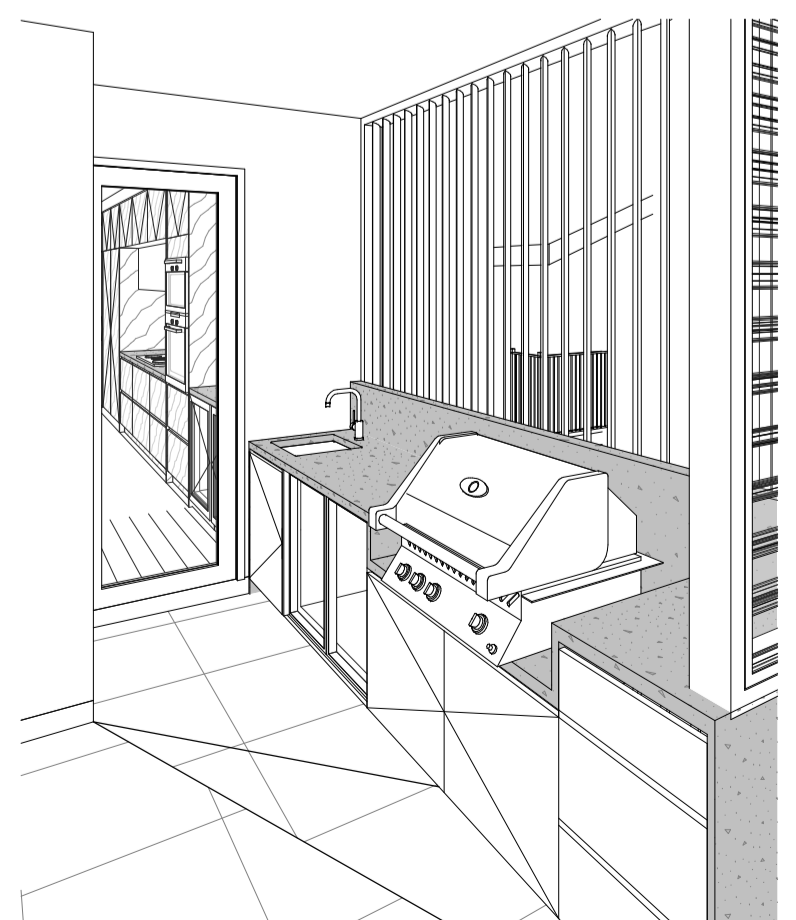
5.7 ELEVATION
1 : 50



DETAIL_FINGER PULL
1 : 10



DETAIL_LED LIGHT
1 : 10



A	FOR CONSTRUCTION	10.05.2025
7	KITCHEN	13.03.2025
6	VALUE MANAGEMENT	04.03.2025
5	IBA COORDINATION	15.01.2025
4	SCHEDULE CODES & UNIT 8 KITCHEN	05.11.2024
3	TENDER 2	17.09.2024
2	CABINETS	03.09.2024
1	TENDER-1	17.11.2023
#	DESCRIPTION	DATE

REVISION HISTORY

FOR CONSTRUCTION

ACN: 110893493
US -Level 1 - 70 Bay Terrace, WYNNUM QLD 4178
P.O. BOX 5129 MANLY QLD 4179
email : enquiries@thinktankarchitects.com.au
phone : (07)3348 3727 / mobile : 0412 087 196

These drawings are the copyright of THINK TANK Architects and are not to be reproduced in any way without the consent of THINK TANK Architects

PROJECT 13-22
NEW RESIDENCES
ADDRESS
121 SHORE ST N, CLEVELAND
CLIENT
BLANCA
ARCHITECT
MICHAEL JULLYAN
DRAWN CHECKED
KP/ZS MJ
ISSUE
CONSTRUCTION
SHEET TITLE
UNIT 5 KITCHEN

SHEET NUMBER	REV	REV DATE
A651	A	10.09.2025

thinktank
architects
www.thinktankarchitects.com.au

CLIENT: 23/09/2024 12:18:33, 21 Shore St N, Cleveland, QLD 4169